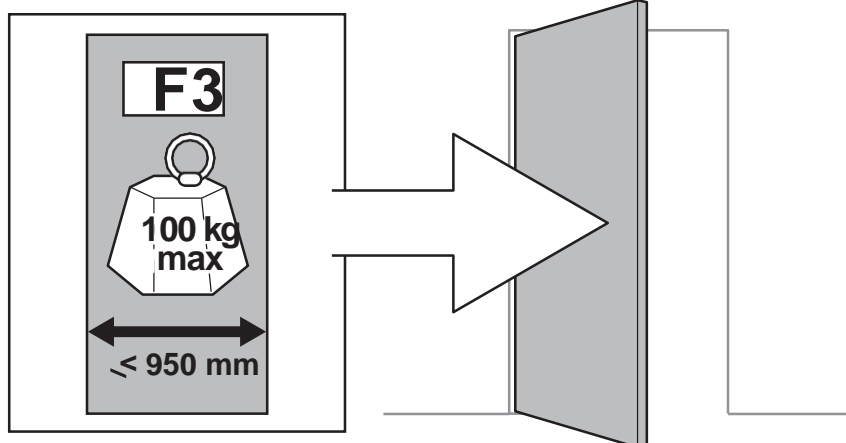


Hydraulisch taatsscharnier INBOUW



Lees deze handleiding volledig door voordat u met de montage begint



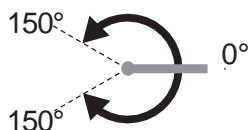
RVS geborsteld
Zwart structuur

40-0200-004
40-0200-017

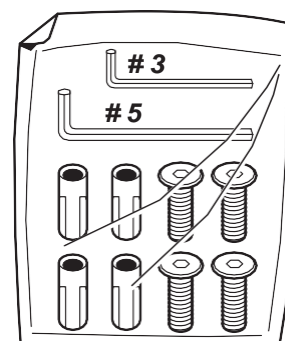
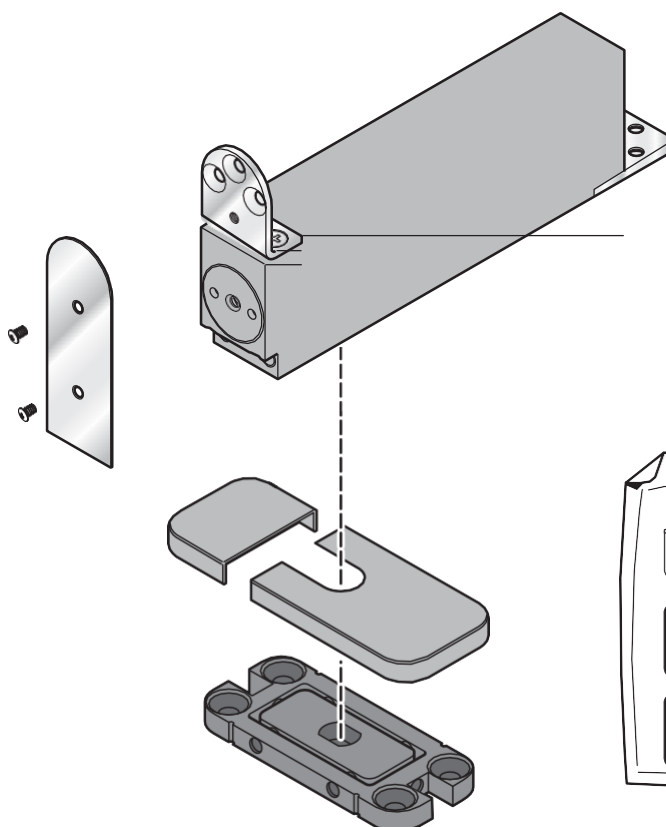
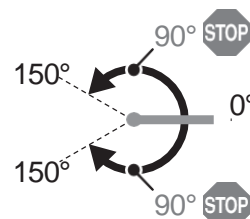
RVS geborsteld
Zwart structuur

40-0200-004
40-0200-017

F3

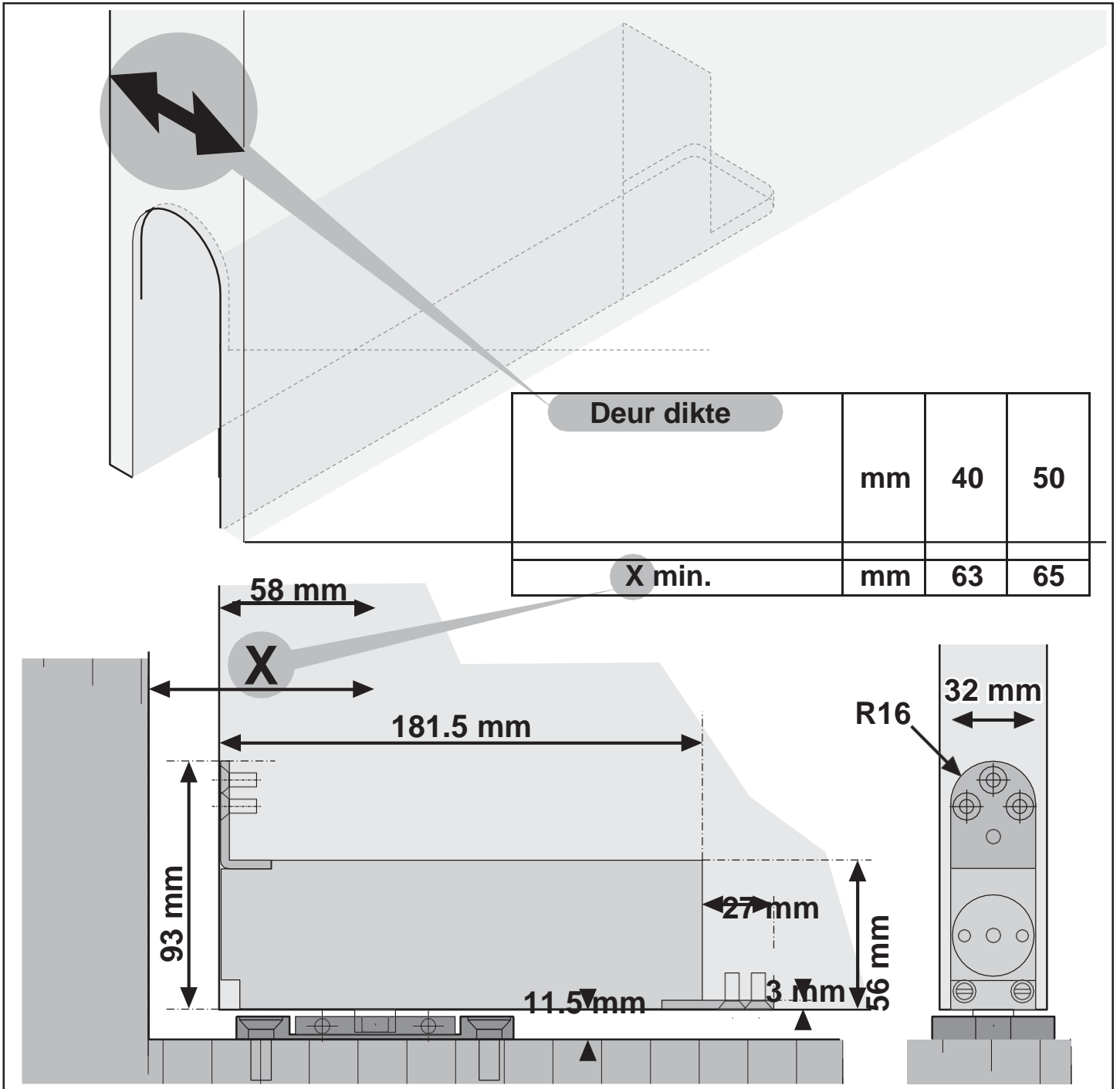
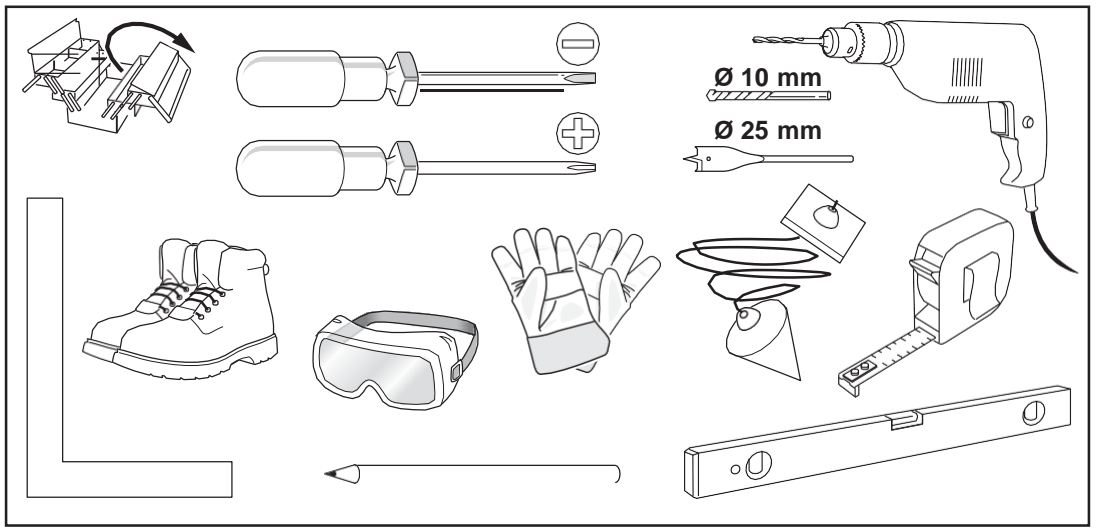


F3



1

3 h



1

Deur dikte	mm	40	50
Y min.	mm	20	22

Ø10

86 mm

28 mm

2

#5

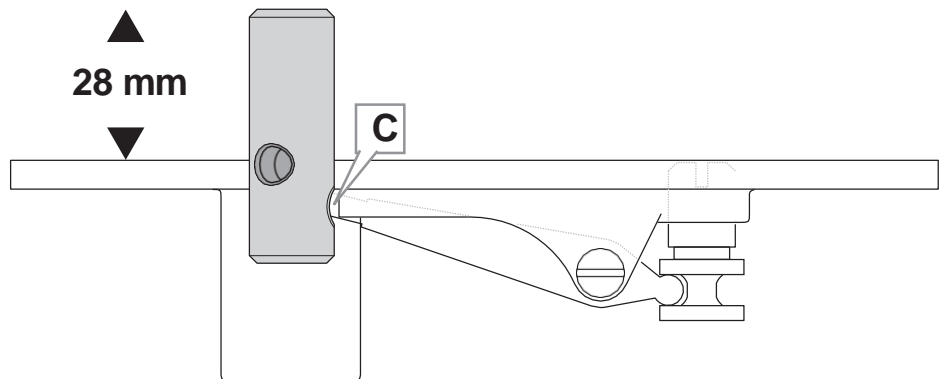
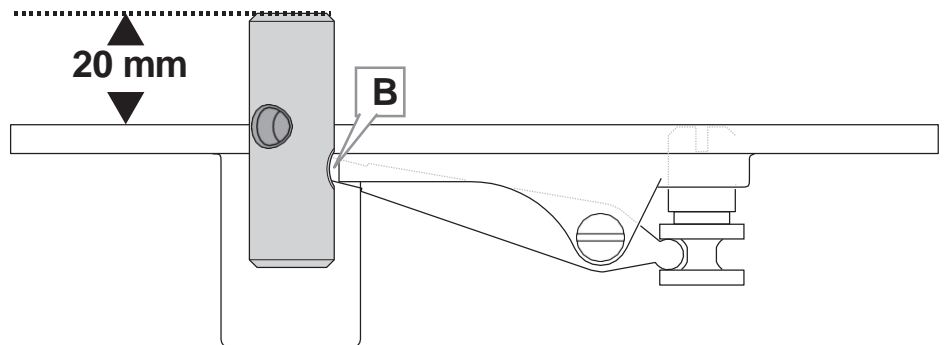
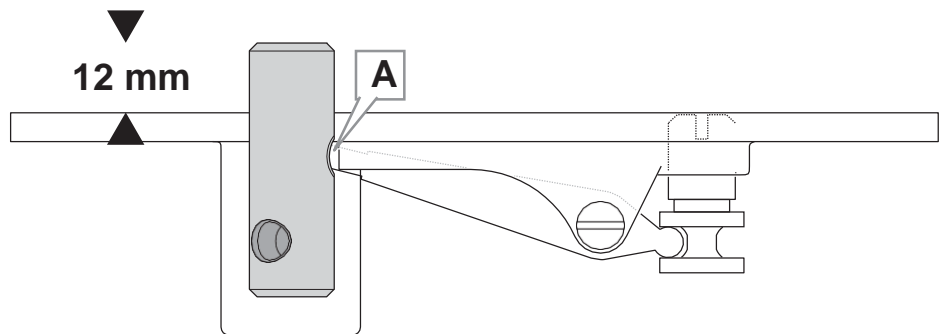
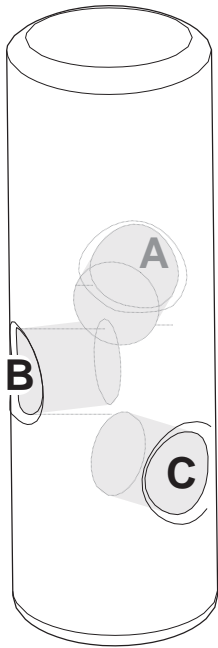
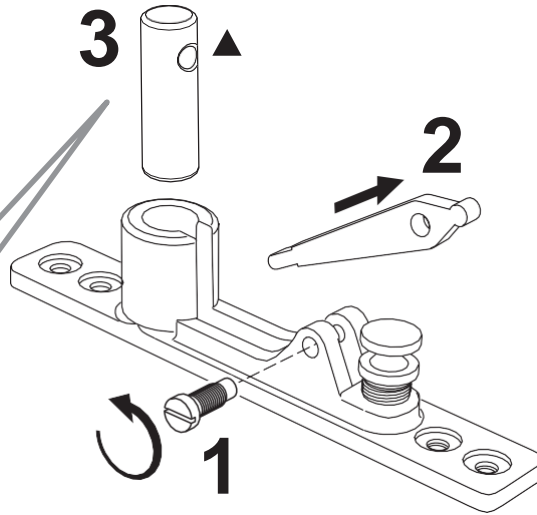
3

1

2

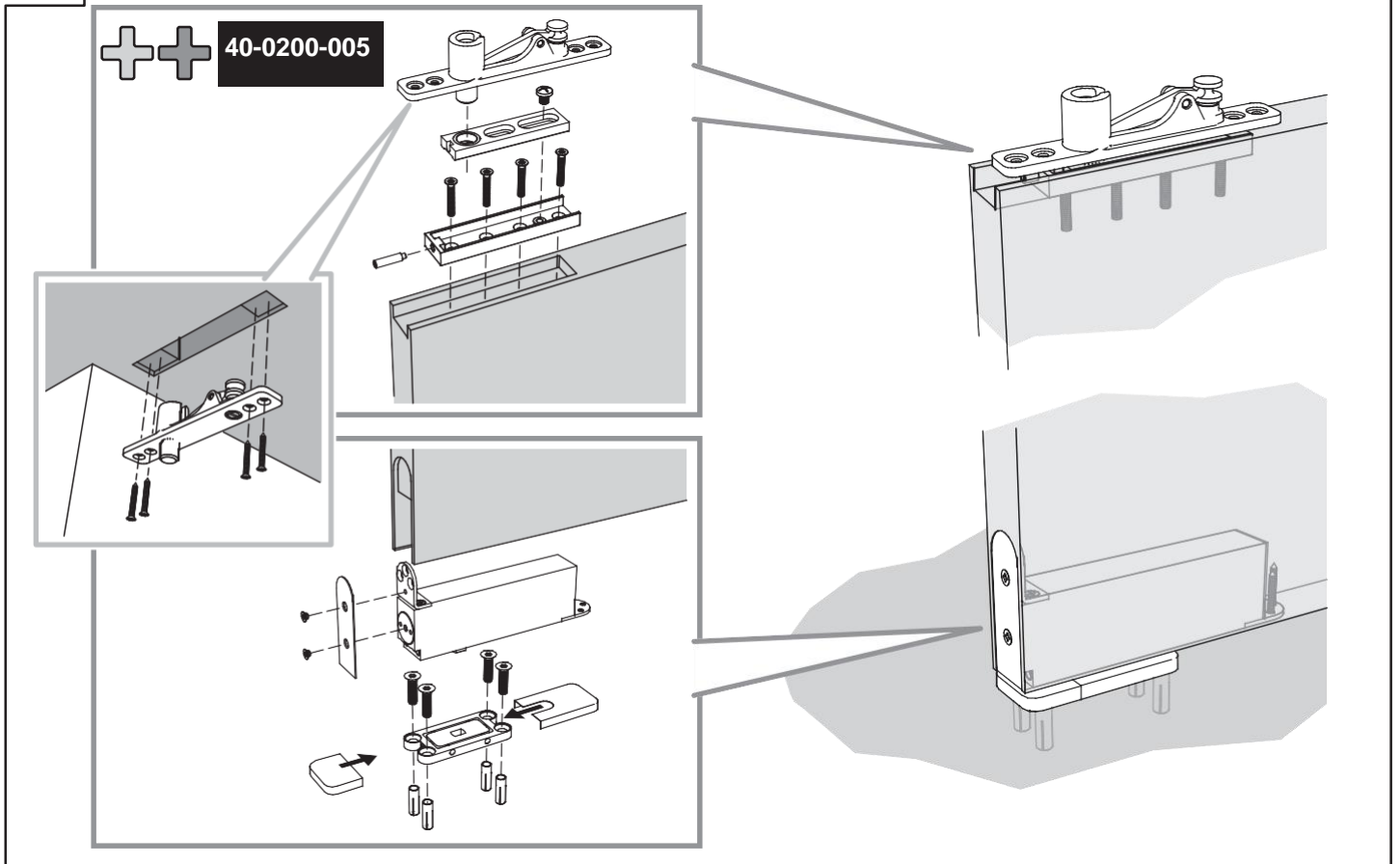
3

1/4

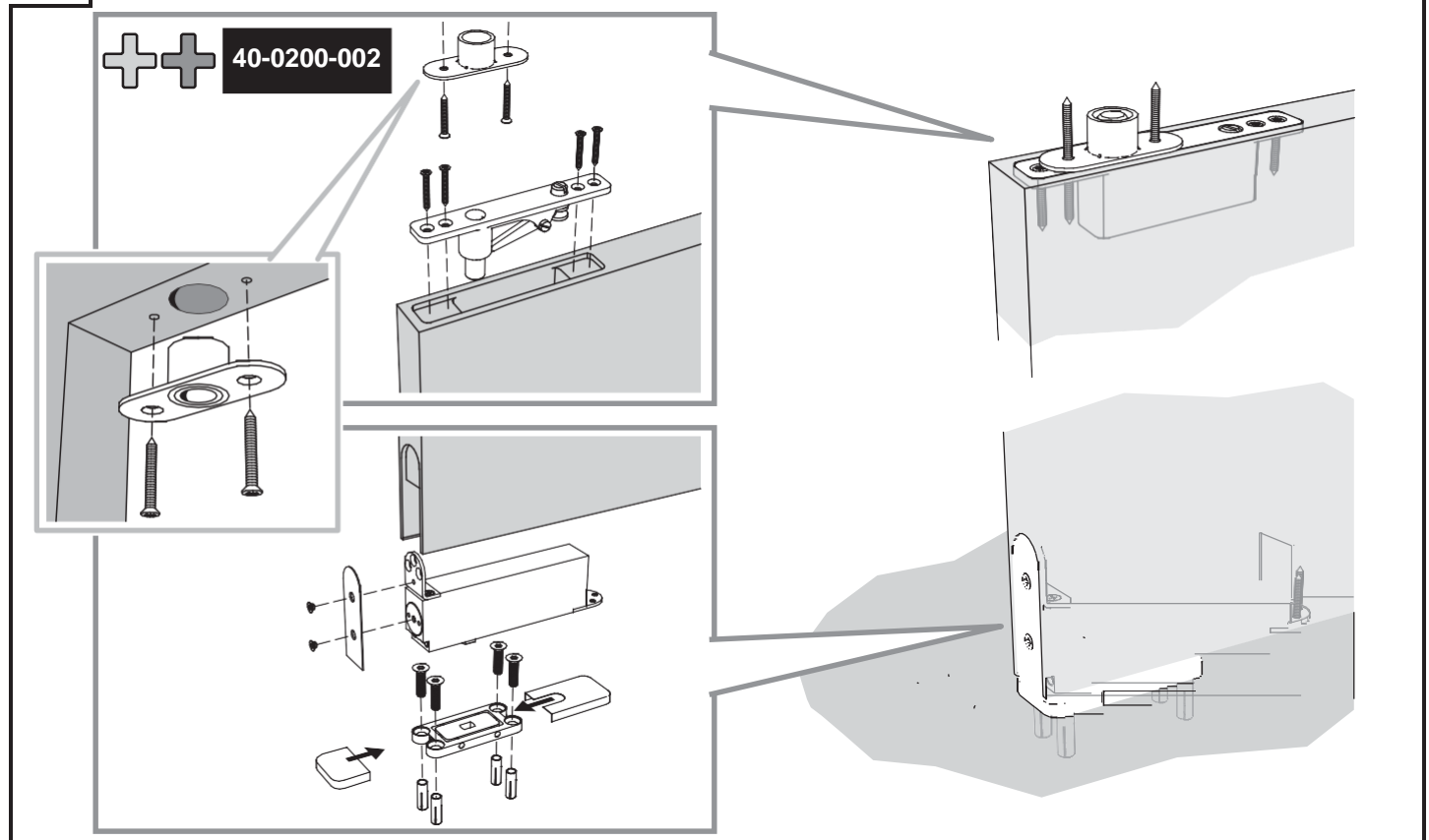


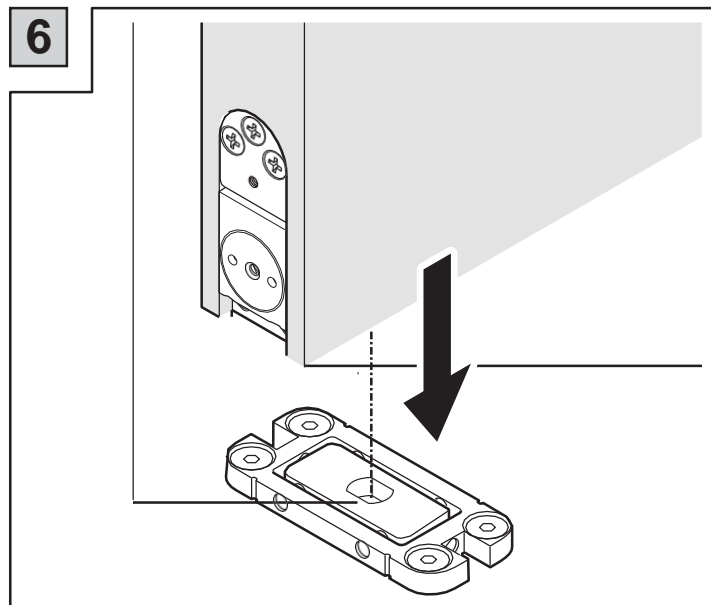
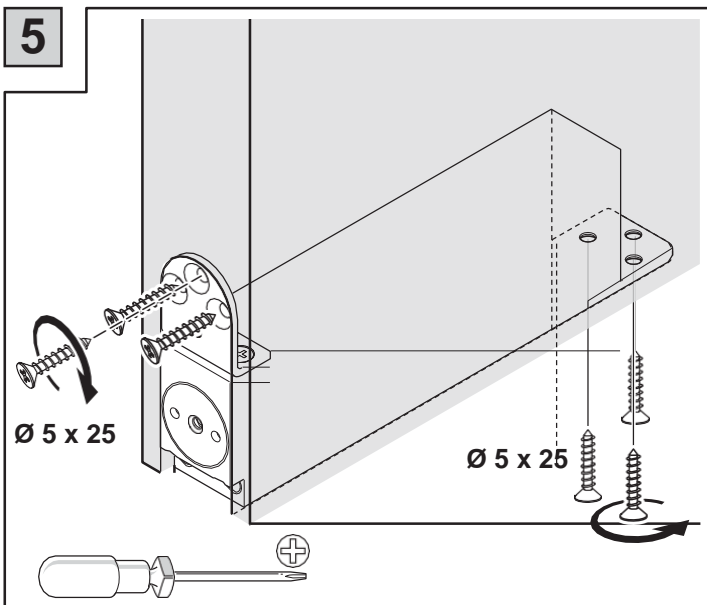
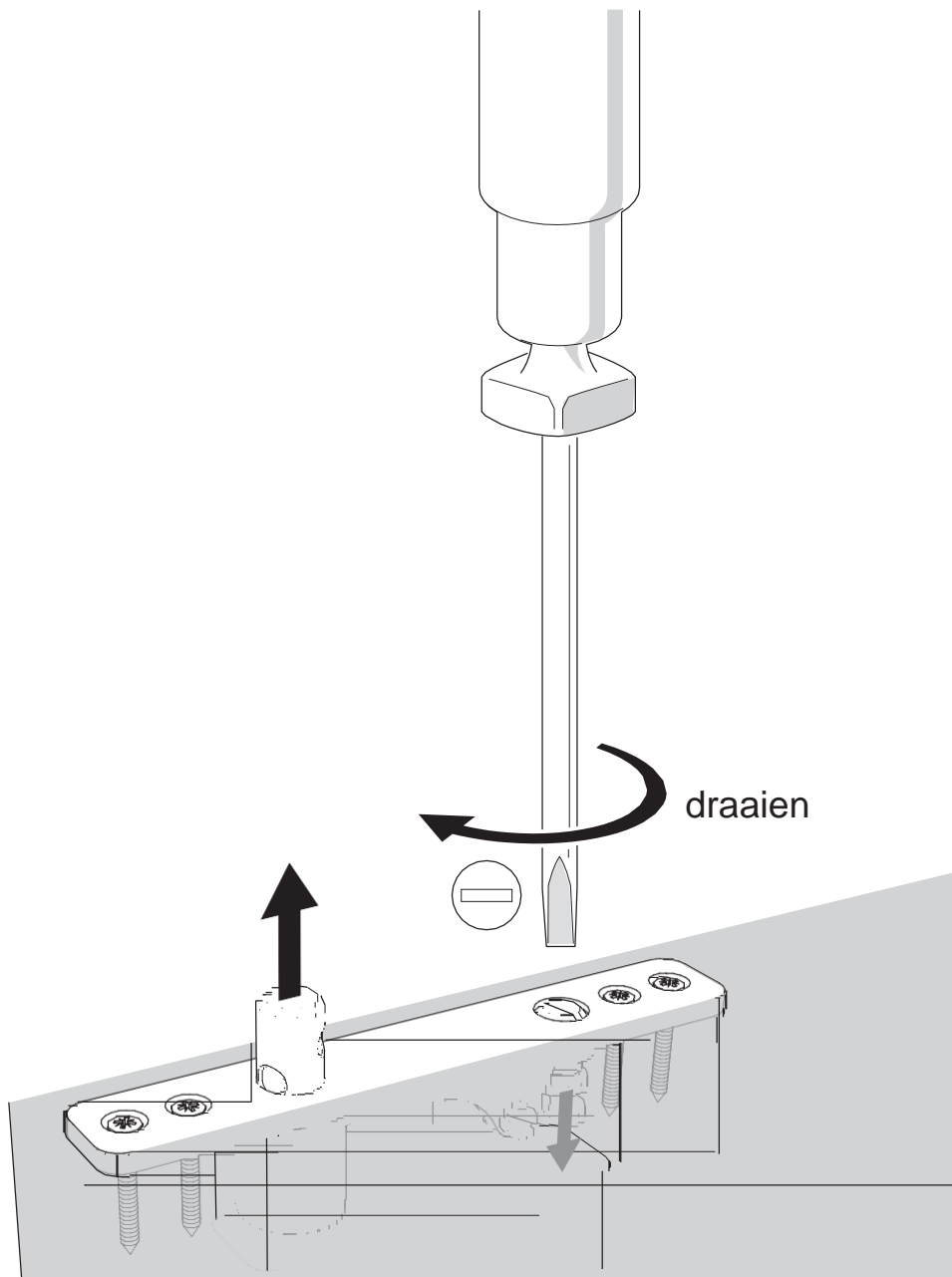
4

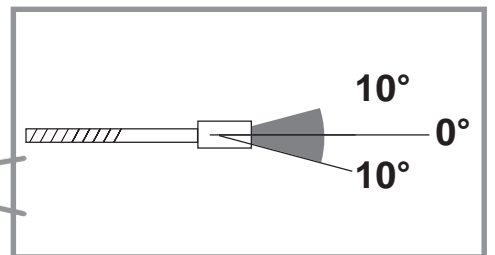
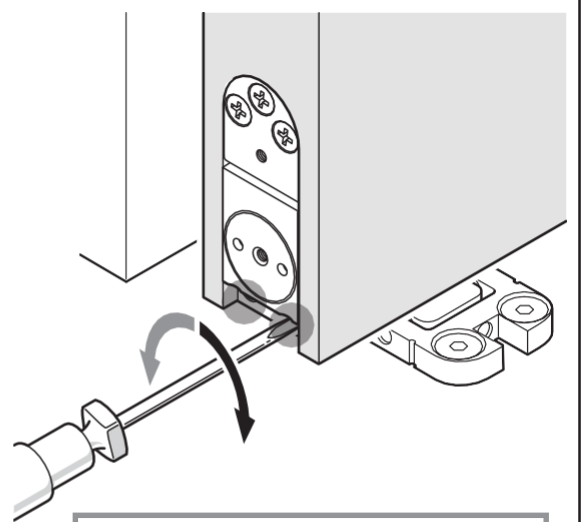
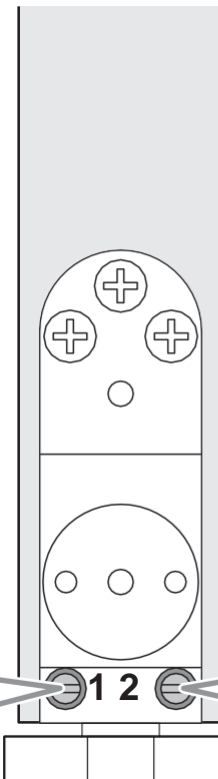
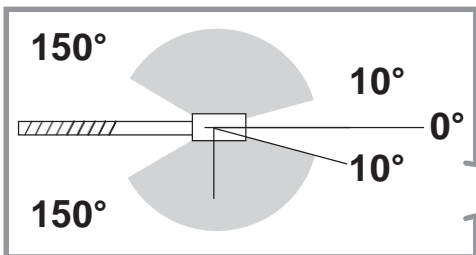
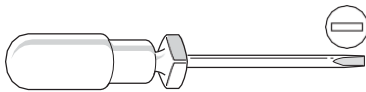
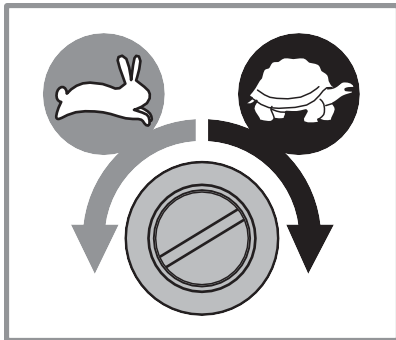
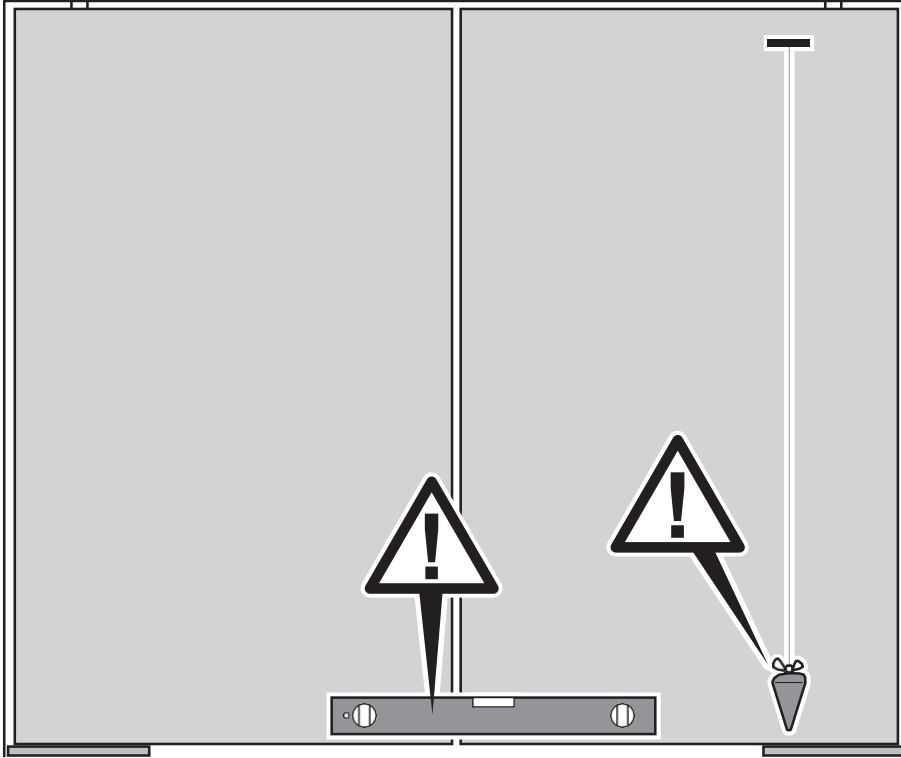
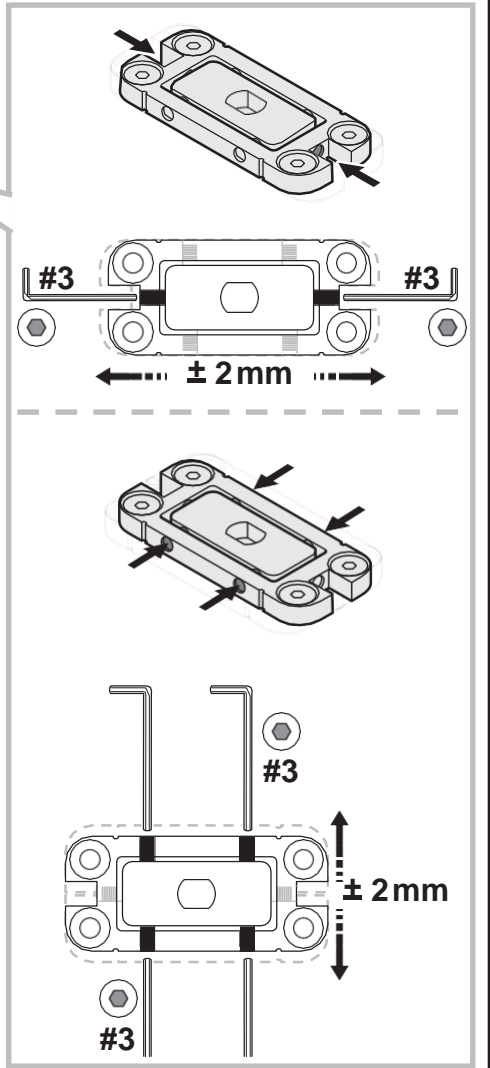
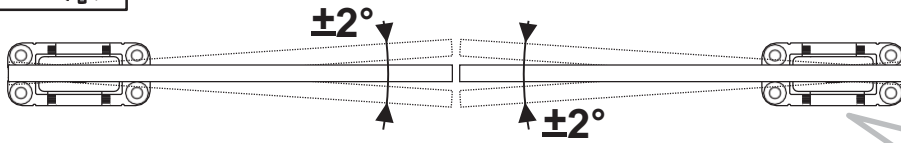
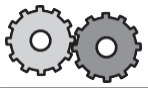
Gebruik de verstelbare speun (40-0200-005) als u kamerhoge deuren gebruikt, zoals afgebeeld.

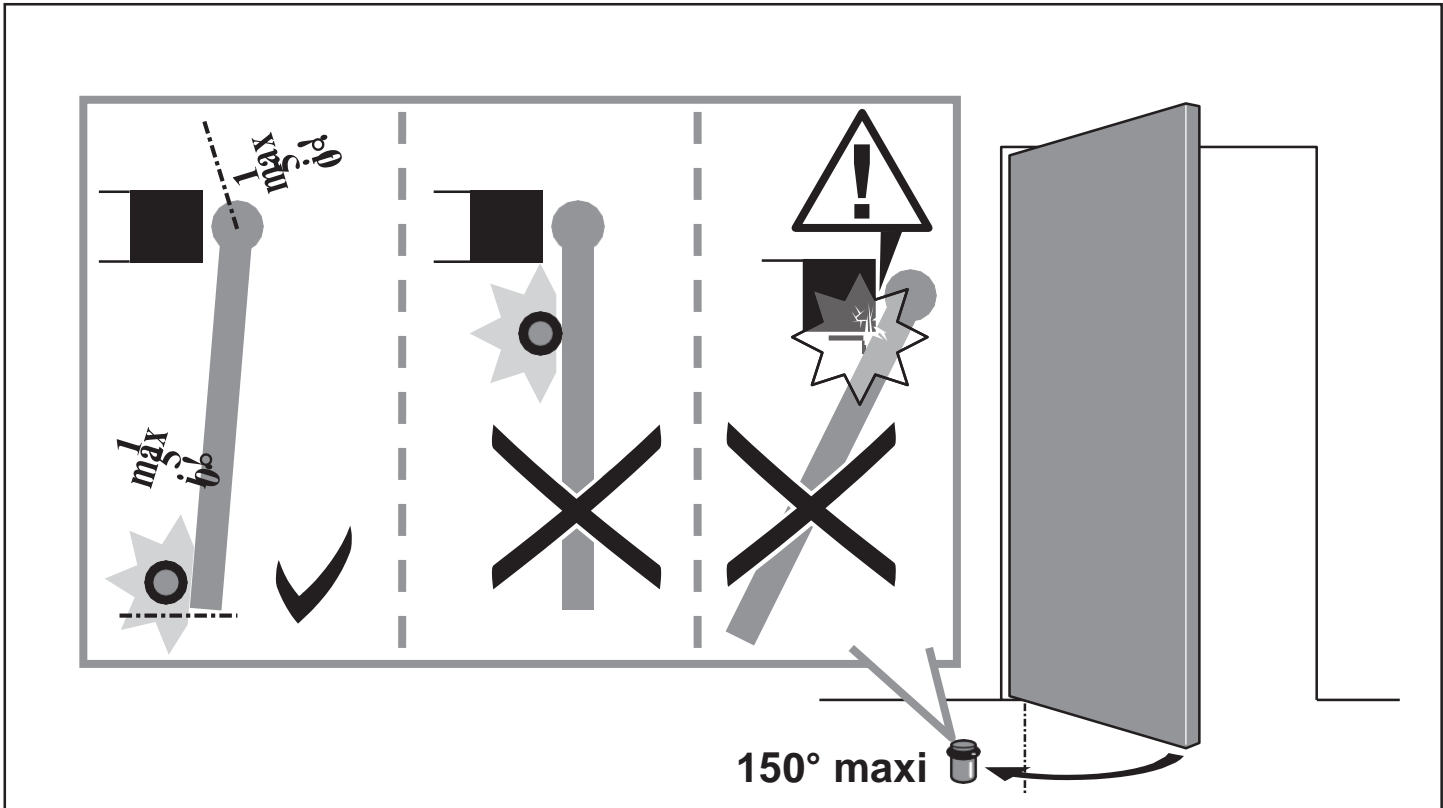
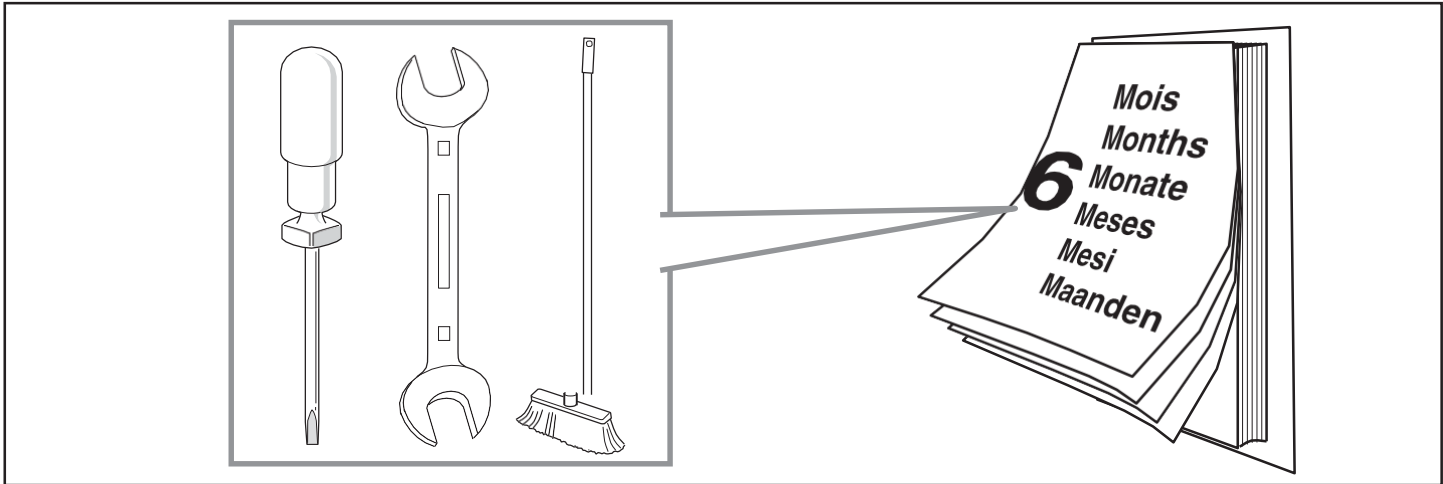
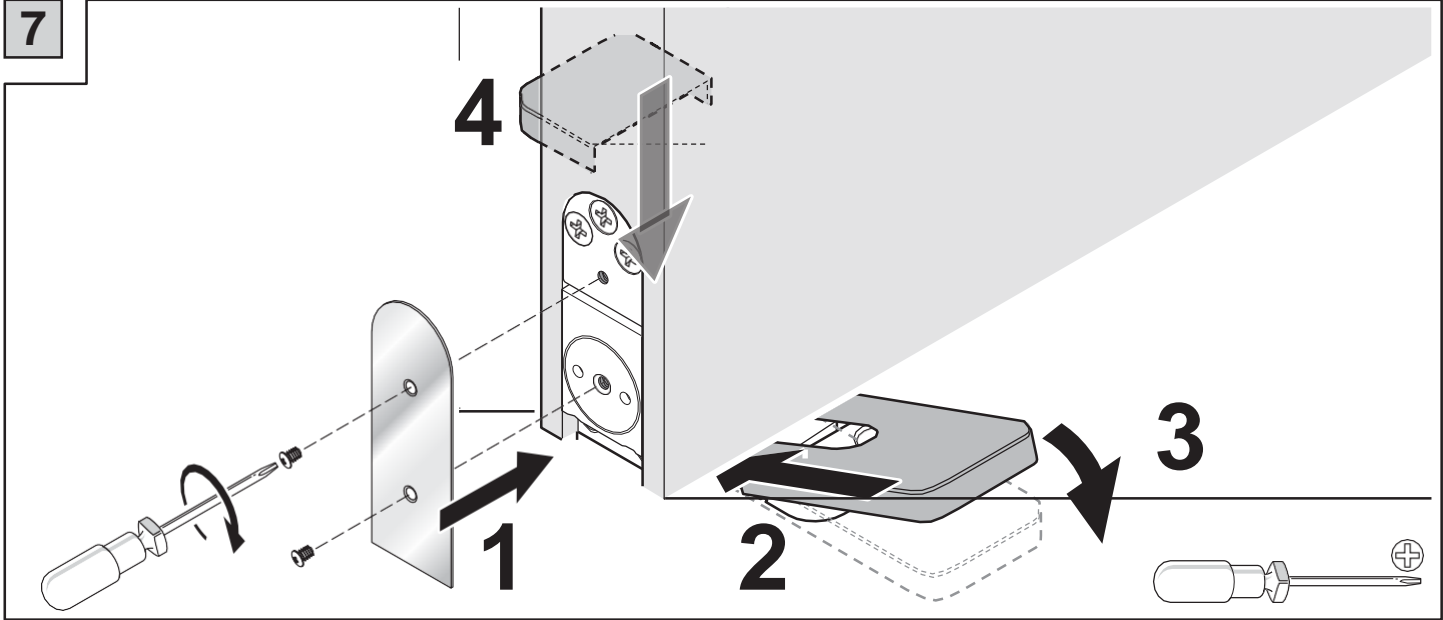
**4'**

Gebruikt de vaste bovenspeun (40-0200-002) als u boven de deur een schroevendraaier kunt gebruiken i.v.m. afstellen.





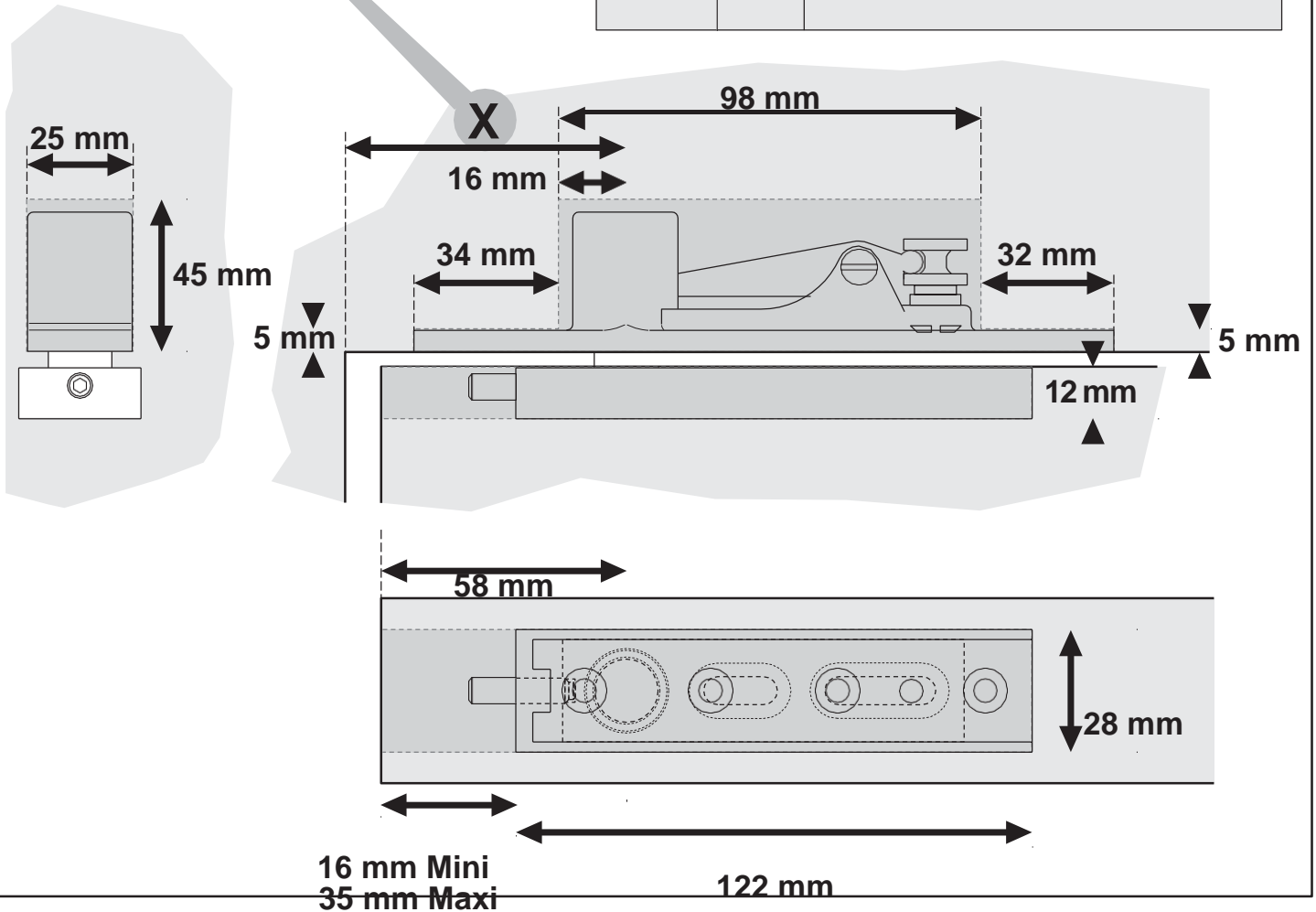
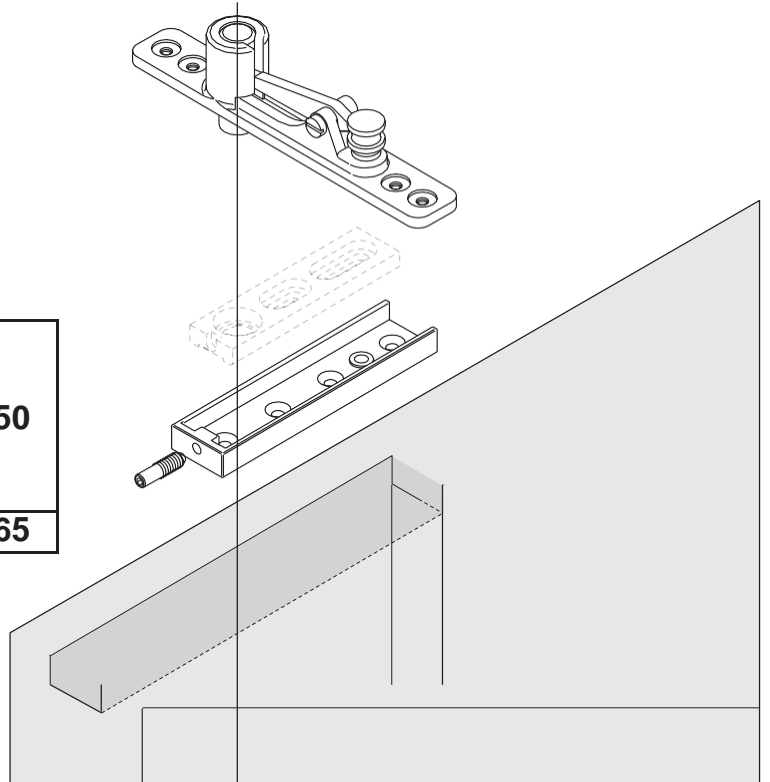






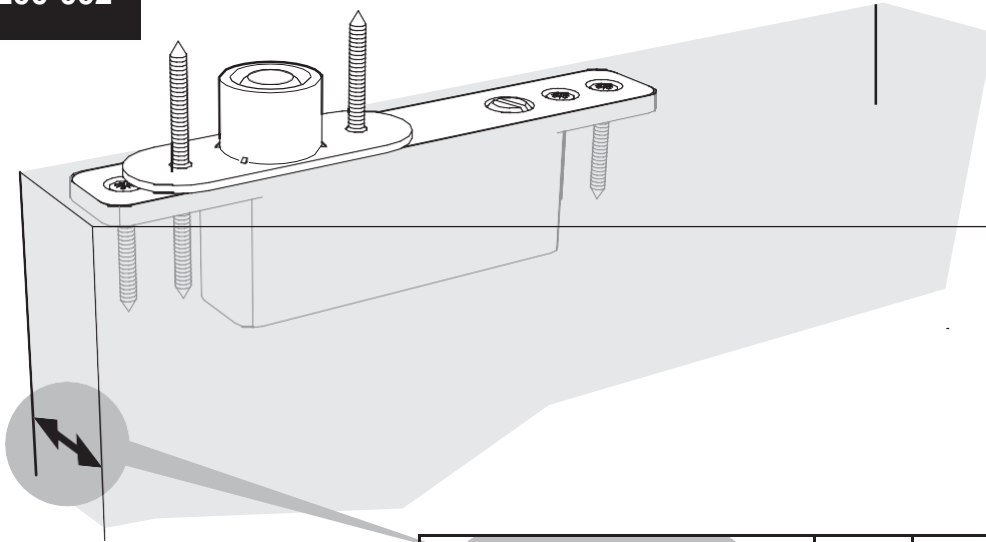
40-0200-005

Deur dikte	mm	40	50
X mini	mm	63	65

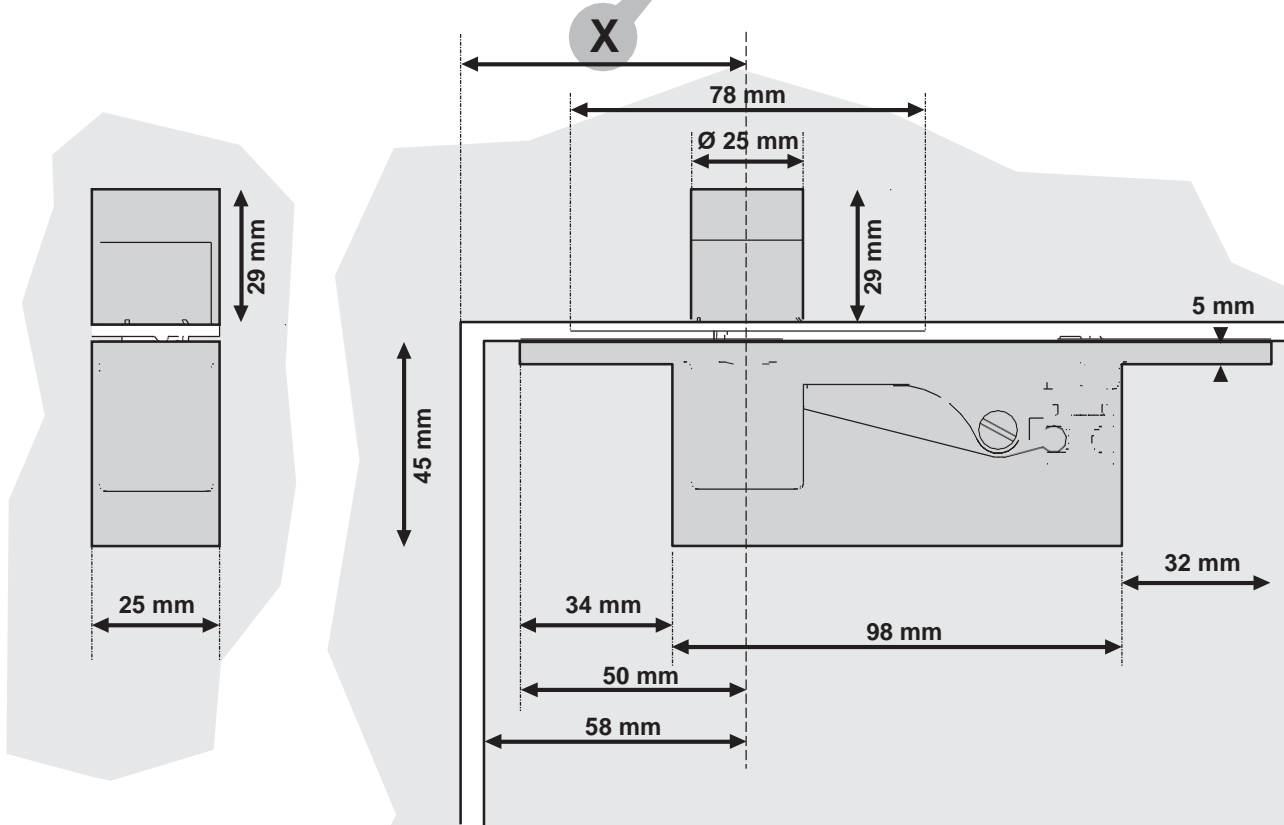




40-0200-002



Deur dikte			
	mm	40	50
X mini	mm	63	65





OPTIES	Zwart Structuur	Geborstelt
Afdekplaat	40-0200-018	40-0200-016

WARRANTY

SEVAX guarantees the product against any latent defect that might appear upon implementation

Our guarantee expires at the end of a 24 month period following the date of manufacture, or at the end of a 12 month period following the recognized date when the products were implemented.

Should a latent defect be suspected the customer must inform the retailer straight away so that a contradictory investigation can be carried out to determine whether the latent defect is attributable to SEVAX.

This guarantee only concerns the replacement of the product, it does not cover labour or shipment costs. It applies in the case of normal use.

SEVAX will take no responsibility if the product has been modified, or if the product has been set in a different way from what is recommended by our outstanding procedures, or if it is being used in a different way from what it was designed for as described in our documents, or if the defect found results from an incompatibility between our product and components from a different source. Our guarantee does not extend either to defects or damage resulting from normal wear, accidents, or a modification on the product not recommended by SEVAX.

sevax

 **GERAN**[®]
Oplossingen voor de hekwerkwereid